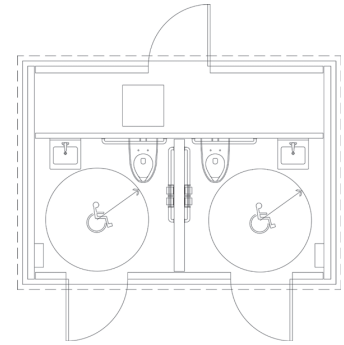


Travis 2202

ADA-Compliant, Two-Room Restroom Building with Two Flush Toilets and Two Sinks



DESCRIPTION

A superior, concrete, ADA-compliant, two-room restroom building, with two flush toilets and two sinks, and including floor, walls, a rear service chase and a gable roof. The **Travis 2202** has a painted stucco exterior with a painted concrete roof. This model ships in one section.

MATERIALS OF CONSTRUCTION

The **Travis 2202** restroom facility is designed and manufactured to withstand average wind loads, snow loads and seismic activity for the specific geographic region in which it will be installed and in accordance with governing building codes and the stresses and shocks common to buildings.

The **Travis 2202** is constructed of 5,000 psi concrete with steel reinforcement in the floor and walls tied together such that the floor is poured around the walls, thus providing superior strength and durability. Walls and roof are 4" thick; the floor is a minimum of 8" thick. All vertical building sections are joined with three welding surfaces, and the roof sections are welded to the walls. Doors and building vents are painted galvanized steel, with galvanized steel door frames attached in a manner that allows replacement, as necessary.

The **Travis 2202** building is lifted as a single unit and positioned onto a customer-provided and engineered concrete slab or prepared surface.

DIMENSIONS

Length: 15'3", Width: 10'10",
Height: 9'2", Weight: 50,361 lbs.

BUILDING FINISH

Exterior walls and roof: The exterior concrete walls of the building have a standard 5,000 psi stucco finish. Two coats of a modified latex exterior paint, as manufactured by Benjamin Moore, are applied at the factory. Colors for the exterior concrete walls and roof are selected by owner. The exterior roof has an application of a polyamide epoxy base coat followed by a 2-part aliphatic acrylic urethane coating, as manufactured by Benjamin Moore. Optional exterior surface reveals for the walls and roof are available.

Exterior doors and frames: These surfaces are primed, followed by 2 coats of urethane alkyd enamel. Color is selected by the owner.

Interior Walls, Ceiling, and Floor: The interior wall and ceiling surfaces of the building are steel troweled, followed by a 2-part polyamide epoxy coating, as manufactured by Benjamin Moore. The interior floor surface is steel troweled, followed with a broom finish. Because the floor is a high wear surface, a 2-part polyamide epoxy coating is available as an option. Colors for all interior surfaces are selected by the customer.

ELECTRICAL

Energy Star compliant lighting is provided in the toilet room and service chase and on the exterior of the building adjacent to the doors. Toilet room and exterior door lights are powered with separate 110 volt circuits and controlled by mechanical timers located in the rear service chase. An electric receptacle is provided in the service chase area for convenience.

APPLICABLE BUILDING CODES

- International Building Code
- International Plumbing Code
- International Mechanical Code
- International Energy Conservation Code
- National Electrical Code
- US ADA National Accessibility Standards



All WalCon products are manufactured to the most rigorous design factors presented in the International Building Code for all geographical areas within the continental United States, with the exclusion of barrier islands.



Since 1980.

WALCON. A DIVISION OF WALLIS CONCRETE, LLC.

www.walcon.com

P.O. Box 1135, Wallis, Texas 77485 1-800-852-7880 | 979-478-7314 | Fax: 979-478-6753

*WalCon is a registered trademark of Wallis Concrete, LLC. ©2010, Wallis Concrete, LLC.

012110